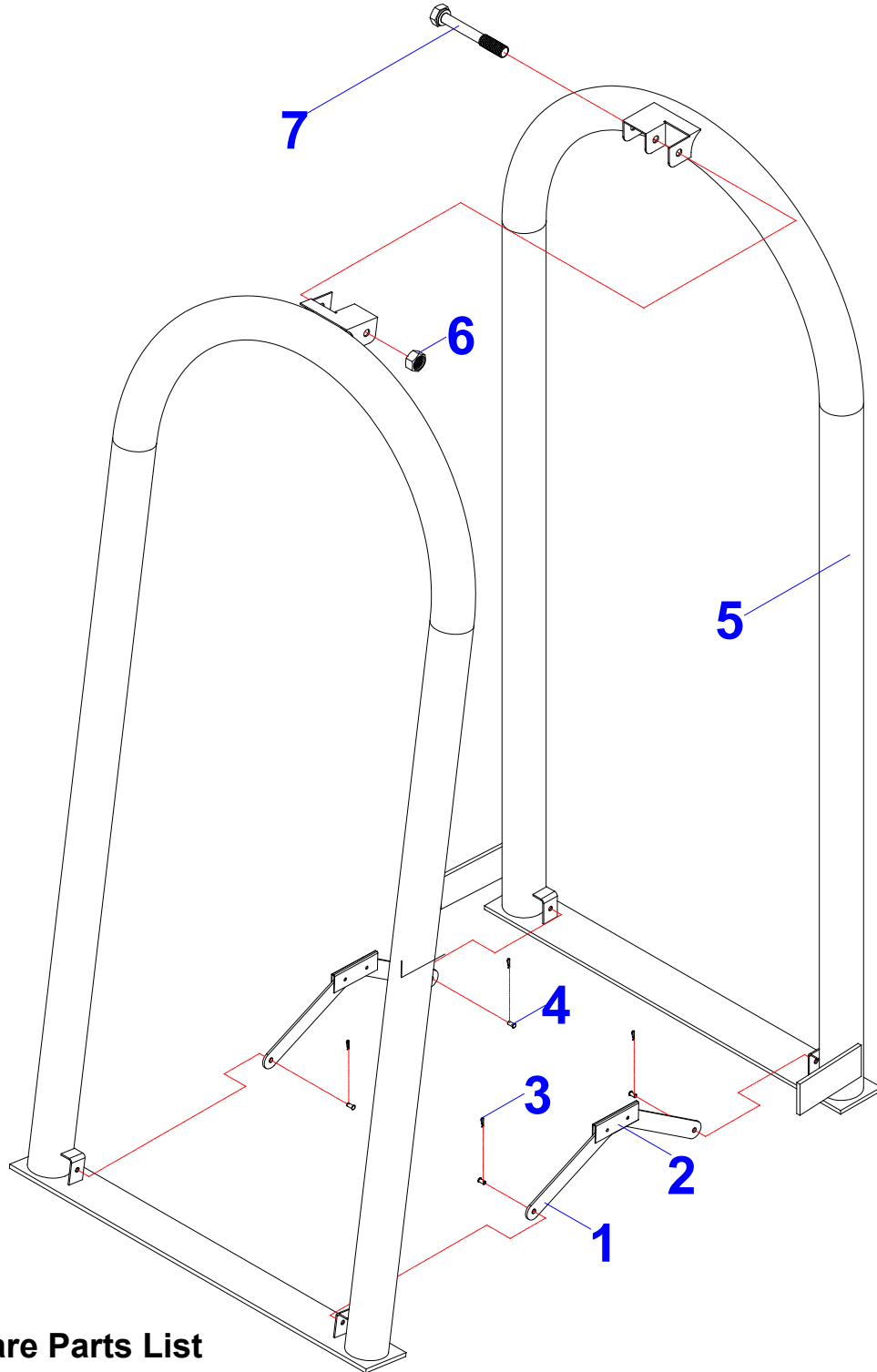




Tire Cage

Model 10013



Spare Parts List

Item	Description	QTY
1	Shaft	4
2	Hinge Bracket	2
3	Snap Pin	4
4	Pin	4

Item	Description	QTY
5	Frame	2
6	Hex Nylon Nut	1
7	Hex Bolt	1

15270 Flight Path Drive • Brooksville, FL 34604

Phone (352) 754-1117 • Toll Free (800) 352-9852 • Fax (352) 754-4508 • www.esco.net • sales@esco.net

TIRE CAGE SAFETY INSTRUCTIONS

PLEASE READ CAREFULLY BEFORE USING TIRE CAGES

This cage is designed to restrain multi-piece wheel and rim components during inflation as required by Federal O.S.H.A. Standard No. 29 CFR 1910.177.

Before using cage, check the following: Cage must be freestanding and at least three feet from any other objects or obstructions. Do not modify the cage in any way. Discard cage if it is bent, cracked, or shows other signs of damage. Use a clip-on chuck, remote inflation and deflation valve, and sufficient length of hose to stand clear of the tire during inflation. Do not use this cage on assemblies rated more than 120 P.S.I. See your supervisor for proper safety procedures.

Prior to inflating the tire: Roll the tire assembly into the cage. Follow the O.S.H. A. Standard and the Wheel and Rim Manufacturers recommended procedures. See enclosed O.S.H. A. charts. Center the tire in the cage in an upright position. Rotate tire so that inflation valve is between inflation cage tubes. Clean inflation area of all debris. Clean tire and wheel of loose debris.

Warning: Wheel and rim assembly components may separate or fail any time during inflation and/or mounting process. Flying rim components can cause serious injury or death to operator or bystander.

Warning: Tire failure may cause sudden air release of significant force to cause serious injury or death to operator or bystander. Debris propelled by air may also cause serious injury or death.

Warning: Tire changing can be dangerous, and should be done only by trained personnel using proper tools and equipment as directed by Federal OSHA Standard No. 29 CFR Part 1910.177. Tires and wheels may violently separate during inflation causing injury to operator or bystander. Do not stand in trajectory zone. Keep all parts of body outside cage. While inflating tires, wear safety goggles. Use clip-on chuck, remote valve, and sufficient length of hose to stand clear of cage and tire during inflation. Keep all bystanders away from inflation area during tire inflation. Always use a cage when inflating tires. See supervisor for proper safety procedures.

Warning: Other hazards associated with tire changing include sidewall rupture (“zip-pers”), bead failures, and sudden release of air and debris, which may also cause injury to operator or bystander. This cage cannot restrain air releases and the associated debris.

Danger: Cage may move in the event of rim separation or other tire failure.



DO NOT REACH INTO CAGE DURING INFLATION



DO NOT STAND IN TRAJECTORY ZONE



ALWAYS WEAR SAFETY GOGGLES



WARNING

If you don't know how to use tire changing tools – STOP
Tire changing should only be done by trained persons.
If you do it wrong, you could be hurt or killed.
Here are some safety rules.
For complete tire servicing procedures, read the tire and rim makers service manuals.
You can also get free wall charts about tire servicing by calling OSHA at 1-202-523-9667

USING TIRE TOOLS

Always wear eye protection when servicing tires and wheels and whenever using hand tools.
Always use soft-faced hammers when driving tire irons.

